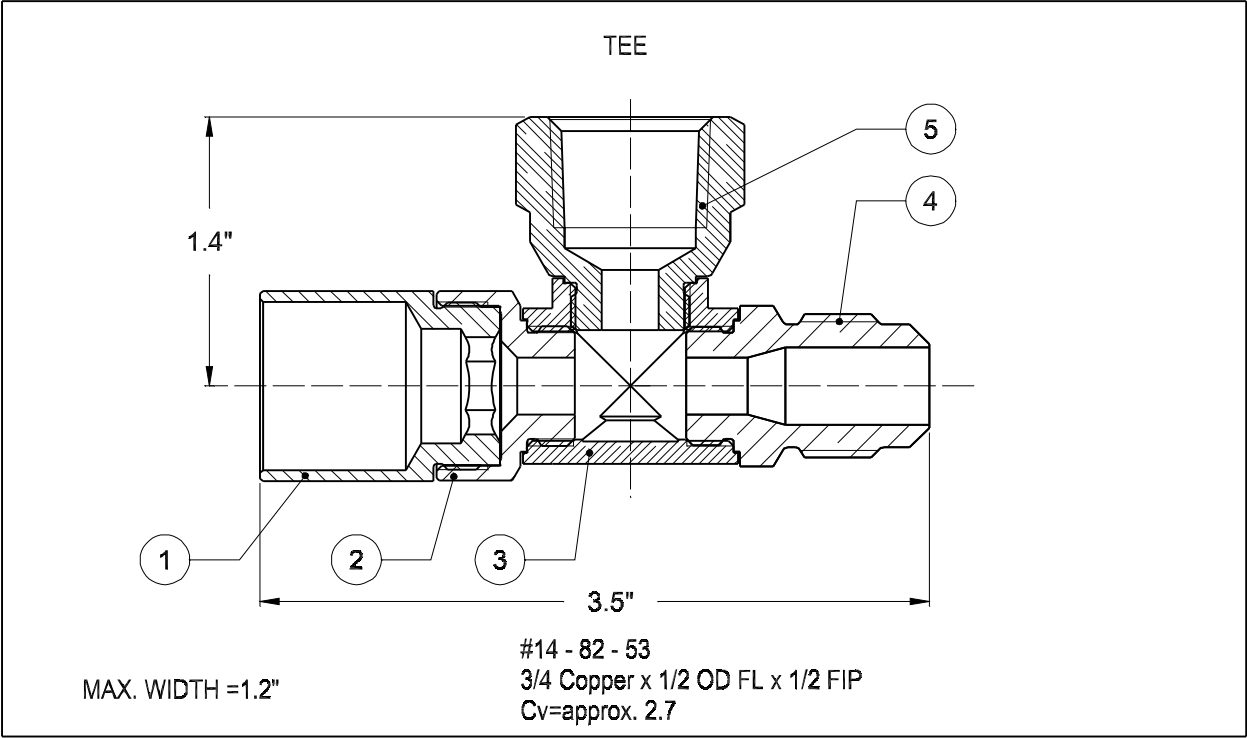


# Dahl mini-ball™ Tee

Plumbing, Heating, Cooling, etc



- 1. Brass 3/4 Copper End
- 2. Brass Adapter
- 3. Chrome Plated Brass Body

- 4. Brass 1/2 OD FL End
- 5. Brass 1/2 FIP End

Working Pressure: 250 psi / 250°F  
depending on pipe material.

NSF / ANSI 61

Designed and Manufactured in  
Canada



## dahl brothers canada limited

2600 S. SHERIDAN WAY, MISSISSAUGA, ON, CANADA L5J 2M4  
905-822-2330 CAN 800-268-5355 U.S. 800-268-2363  
FAX(905) 855-1450, USA AND CANADA 800-226-1801

We reserve the right to alter prices and/or technical details without notice